

EMB-3203

1.1. Feature

- 基于 Intel Skylake-U/Kaby Lake-U 平台
- 单通道 DDR4 内存设计, 最大支持 32GB
- HDMI+VGA+LVDS (可选 eDP) 显示输出
- 支持 3 个 Intel i225-LM 2.5G 以太网接口
- 工作温度支持-20~60°C



1.2. Specification

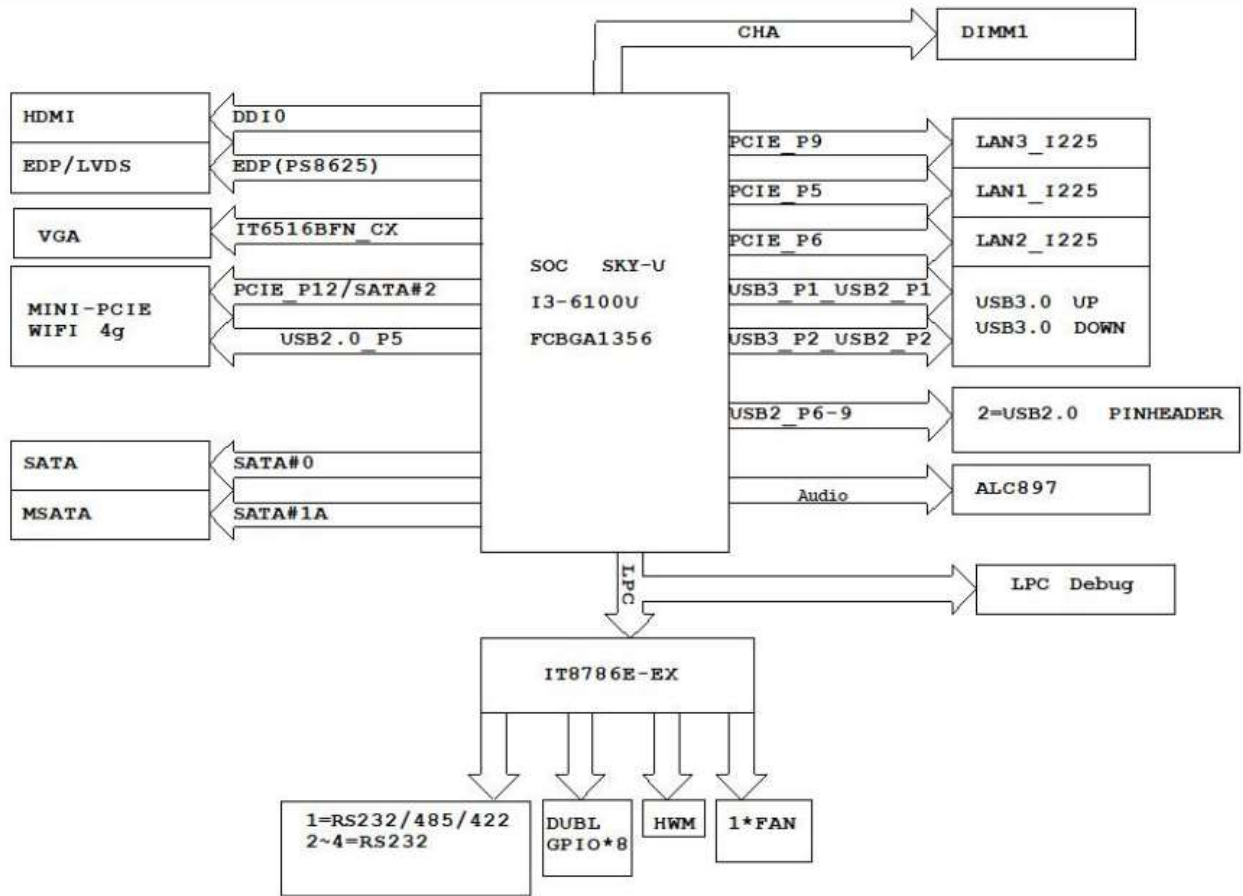
| Model | | EMB-3203 |
|-----------|------------------|--|
| Processor | CPU | Intel Skylake / Kaby Lake-U i3/i5/i7 |
| | | 3965U |
| | Base Frequency | 2.2GHz |
| | Core | 2 |
| | Cache | 2M |
| | CPU TDP | 15W |
| | BIOS | AMI 64MBit SPI |
| Memory | Max Capacity | 32GB |
| | Technology | DDR4 2133/2333MHz |
| | Socket | 1 x SO-DIMM |
| Expansion | SIM | 1 x SIM |
| | Min PCIe | 1 x Mini PCIe for WIFI(3G/4G) |
| Storage | SATA | 1 x SATA3.0 SATA 6Gb/s(7 Pins) |
| | mSATA | 1 x mSATA |
| Display | Multiple Display | 2 Ports |
| | I/O | 1 x HDMI1.4a 1 x VGA |
| | Header Pin | 1 x LVDS (Option eDP) |
| | Max Resolution | VGA:1920*1080@60Hz HDMI1.4:2560*1600@60Hz |
| | Graphics Card | Intel 610 |
| COM | Header Pin | 3 x RS232 |
| | | 1 x RS232/422/485 |

| | | |
|---------------------------------|-----------------------|--|
| USB | I/O | 2 x USB3.0 |
| | Header Pin | 4 x USB2.0 |
| | Function | Support wake up from S3/S4 |
| Ethernet | Chipset | Integrated 10/100/1000M Adaption (Intel® Ethernet Controller I225-LM) |
| | I/O | 3 x RJ45 10/100/1000M 2.5G |
| | Function | Support wake up and PXE |
| GPIO | Header Pin | 2 x GPIO 16bit |
| Audio | Chipset | Integrated High Definition Audio Stereo (ALC897) |
| | Header Pin | 1 x Audio |
| Other | Operating System | Linux, Windows 7 / 10 |
| | Button | 1 x Clear CMOS(Header Pin) 1 x Remote SW(Header Pin) |
| | Front Panel | 1 x Front Panel |
| | LPC/TPM/SMBUS | 1 x LPC/TPM/SMBUS |
| Power | Power Supply | ATX 1 x 4Pin |
| | Adapter | 12/19/24V, Max 5A |
| | Consumption | 60W |
| | Standby Power | under 0.5W |
| Physical | Dimension (L*W) | 146*101mm |
| | Color | Green |
| Environmental Conditions | Operation Temperature | -20~60°C |
| | Operation Humidity | 5~95% (non-condensing) |
| | Storage Temperature | -40~80°C |
| | Storage Humidity | 5~95% |
| | Random Operating | 0.5g rms/5~500Hz |

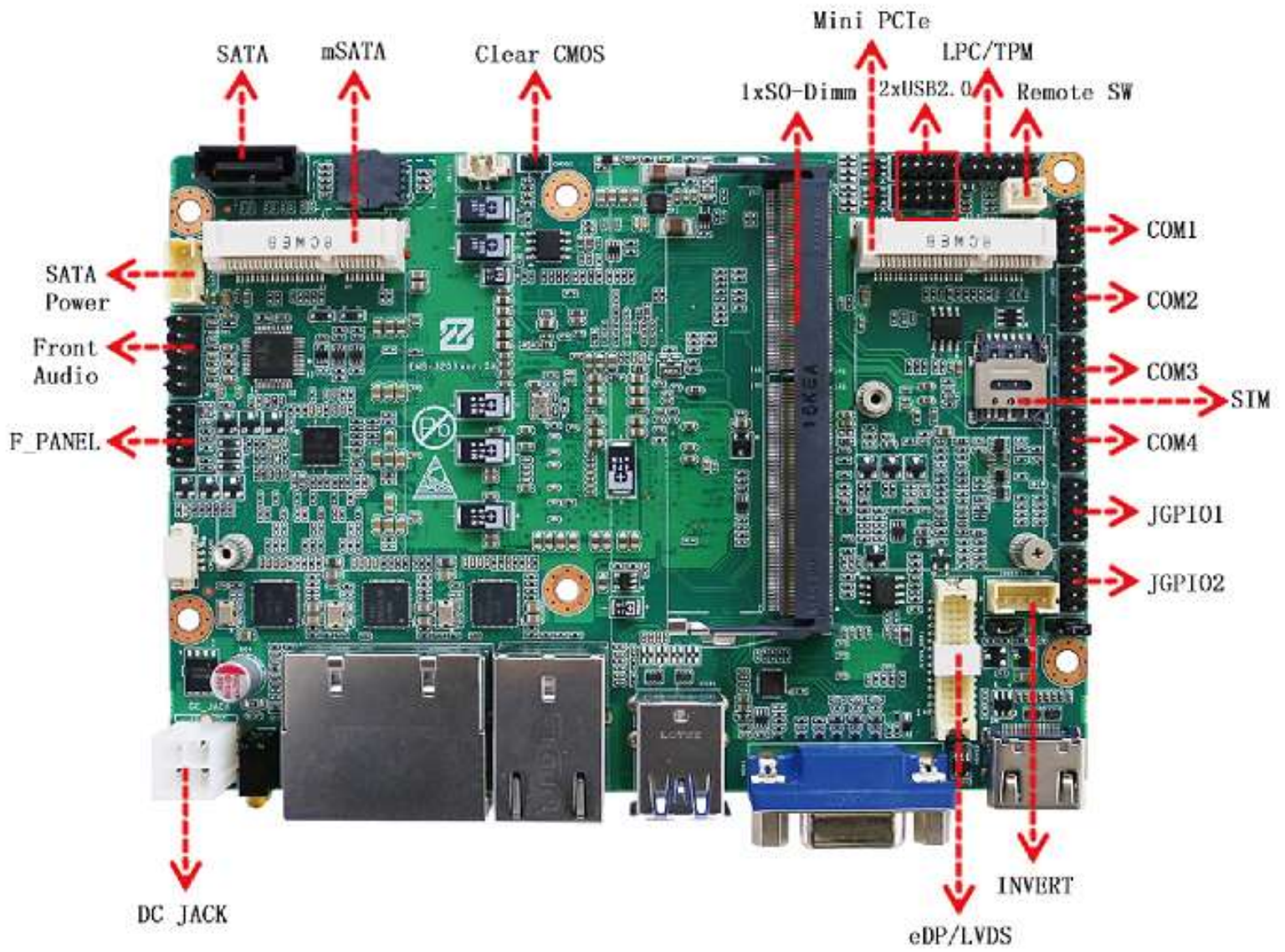
1.3. Part Number

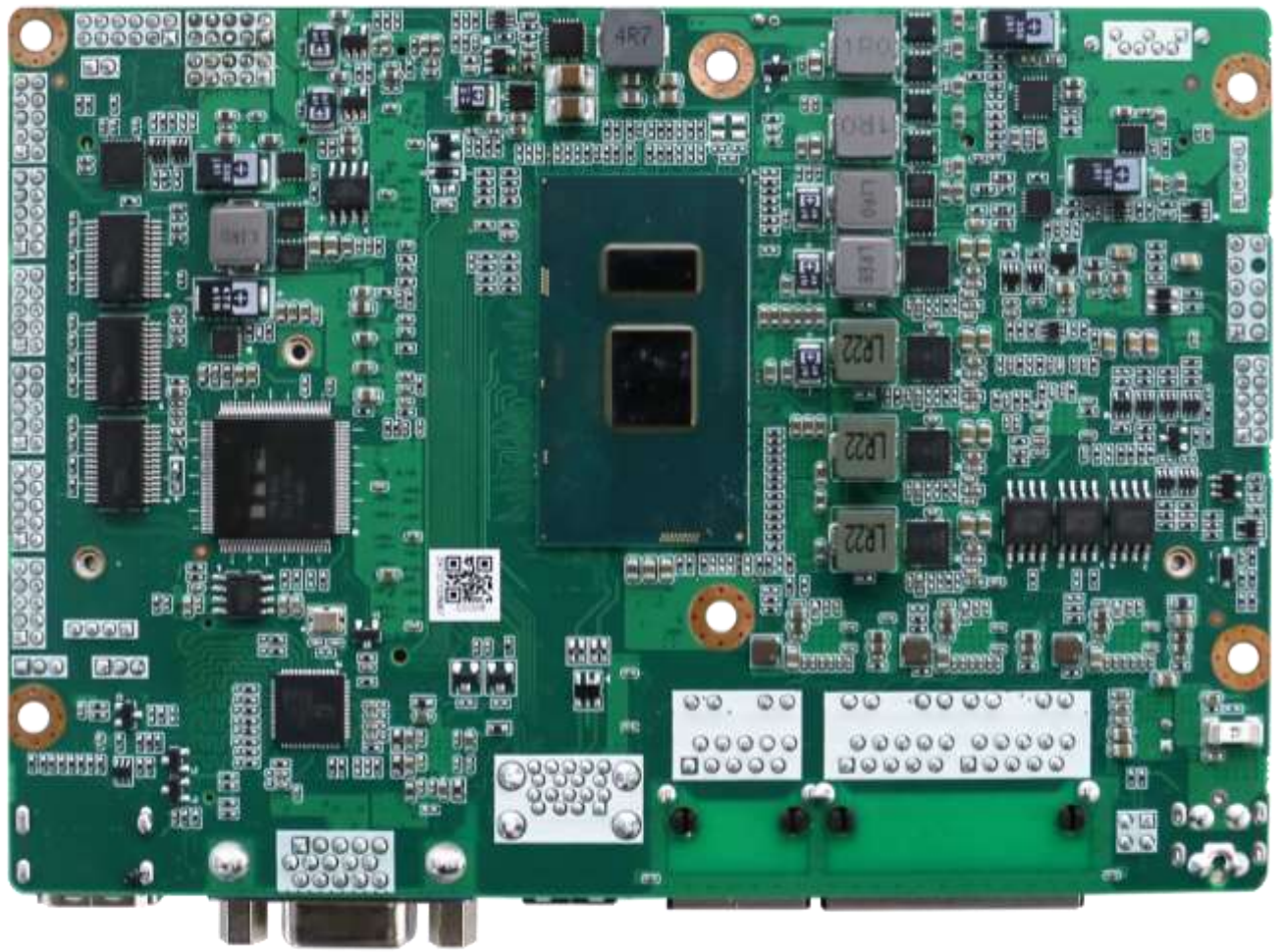
| Part Number | Model Name | Specification |
|----------------------|------------|--|
| 8.ZRT.80-1616-03-LFF | EMB-3203 | 主板 -EMB-3203,VER:1.0, 定制 3.5 寸 主板 ,i5-7200U,(146*101mm)1*SO-DIMM 、 3*LAN/4*COM/6*USB/1*SATA/1*HDMI+1*VGA 、 支持eDP/LVDS、12~24V/主板带散热器/工包装二十入 |
| 8.ZRT.80-1616-02-LFF | EMB-3203 | 主板 -EMB-3203,VER:1.0, 定制 3.5 寸 主板 ,3965U,(146*101mm)1*SO-DIMM 、 3*LAN/4*COM/6*USB/1*SATA/1*HDMI+1*VGA 、 支持eDP/LVDS、12~24V/主板带散热器/工包装二十入 |

1.4. Block Diagram



1.5. Connector





1.6. Dimension

