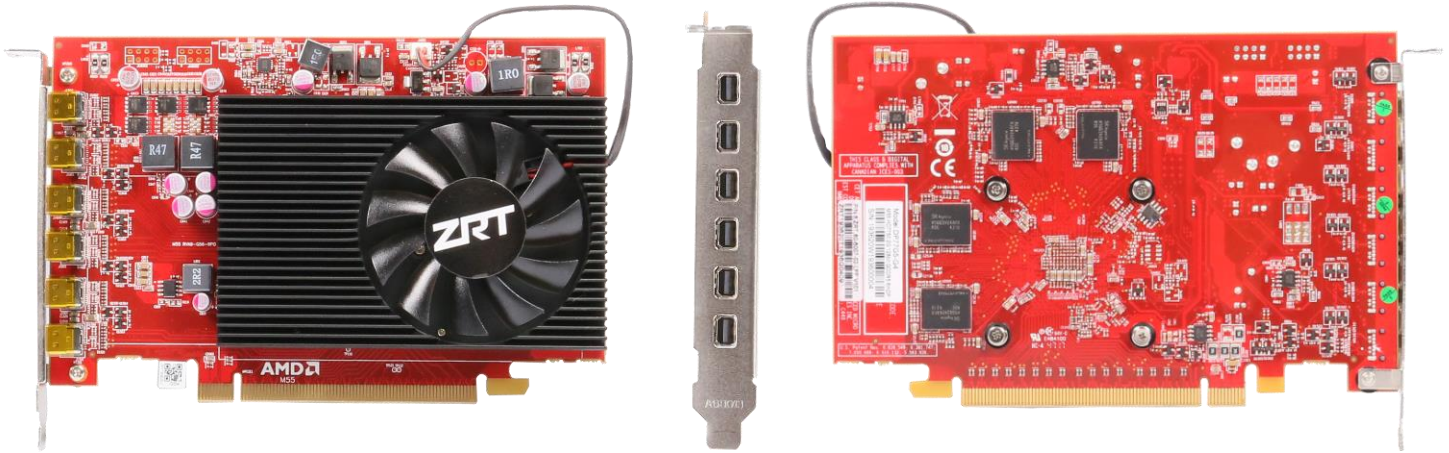


# Multi Display Series

AMD Radeon HD7750 4G GDDR5 6Mini Display Port ATX PCI-E 16X



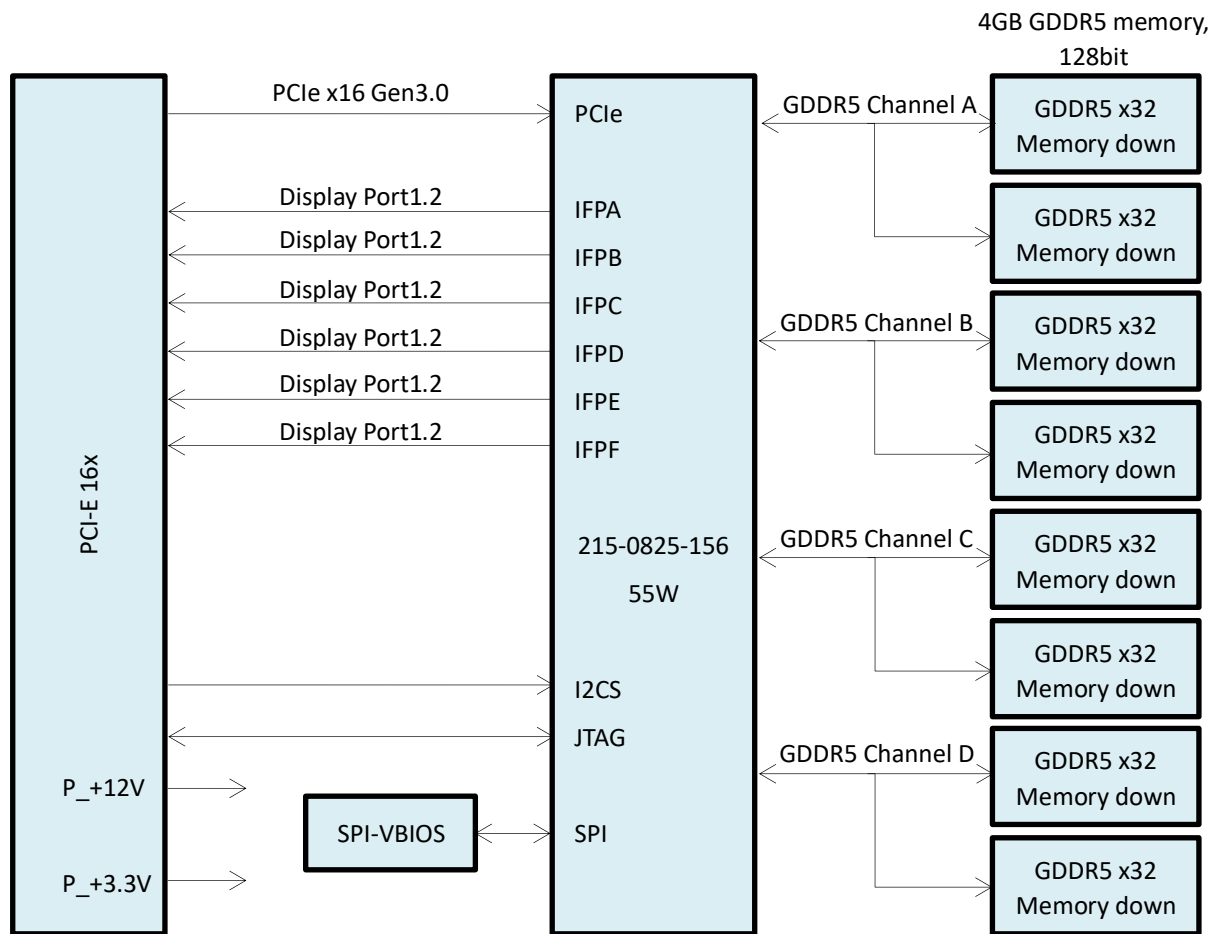
## Feature:

- 六屏显示器横放（横向 / 竖向）克隆显示一画面 / 独立显示不同画面。
- 六屏显示器横放横向(3\*2) / 竖放竖向(2\*3)拼接显示一个大画面。
- 五屏显示器横放（横向 / 竖向）拼接显示一个大画面、一屏独立显示另一画面。
- 五屏显示器竖放（横向 / 竖向）拼接显示一个大画面、一屏独立显示另一画面。
- 四屏显示器横放 / 竖放田字拼接显示一个大画面、二屏克隆显示另一画面 / 二屏分别独立显示另外两个画面。

## Specification:

Model	HD7750 4GD5 6MDP
Graphics Processing Unit	AMD Radeon HD7750
Shader Processing Units	512SP
Memory Size	4G 128bit GDDR5
Interface	PCI-Express 3.0 16x
Board Dimensions	ATX/1 Slot (167*110*17mm)
Display Features	6 x Mini Display Port1.2a
Single Resolution	4096*2160@60Hz
Board Power	55W
Operation System	Windows Vista/7/8/8.1/10 32/64bit 、Linux 32/64bit
Accessories	Manual 、 Driver CD 、 Mini Display Port to VGA/DVI/HDMI(Optional)
Operating Temperature	0~45°C
Storage Temperature	-20~75°C
Operating Humidity	0~95% (non-condensing)
Storage Humidity	10~90%

### Block Diagram:



### Eyefinity:

Eyefinity (Landscape)	Eyefinity (Portrait)
2x1(3840x1080@60Hz)	2x1(2160x1920@60Hz)
1x2(1920x2160@60Hz)	1x2(1080x3840@60Hz)
3x1(5760x1080@60Hz)	3x1(3240x1920@60Hz)
1x3(1920x3240@60Hz)	1x3(1080x5760@60Hz)
4x1(7680x1080@60Hz)	1x4(1080x7680@60Hz)
2x2(3840x2160@60Hz)	2x2(2160x3840@60Hz)
5x1(9600x1080@60Hz)	5x1(5400x1920@60Hz)
3x2(5760x2160@60Hz)	2x3(2160x5760@60Hz)



### Driver:

- Windows 10 64bit: <https://drivers.amd.com/drivers/radeon-software-adrenalin-2020-21.5.2-win10-64bit-legacyasics-june21-legacy.exe>
- Windows 10 32bit: <https://drivers.amd.com/drivers/win10-32bit-radeon-software-adrenalin-edition-18.9.3-oct5.exe>
- Windows 8.1 64bit: <https://www2.ati.com/drivers/beta/radeon-software-crimson-relive-17.7.1-win8.1-64bit-july17.exe>
- Windows 8.1 32bit: <https://www2.ati.com/drivers/beta/whql-win8.1-32bit-radeon-software-crimson-relive-17.1.2-feb6.exe>
- Windows 8 64bit: <https://www2.ati.com/drivers/amd-catalyst-14.4-64bit-win8.1-win8-win7-whql-aug.exe>
- Windows 8 32bit: <https://www2.ati.com/drivers/amd-catalyst-14.4-32bit-win8.1-win8-win7-whql-aug.exe>
- Windows 7 64bit: <https://drivers.amd.com/drivers/radeon-software-adrenalin-2020-21.5.2-win7-64bit-may21.exe>
- Windows 7 32: <https://drivers.amd.com/drivers/win7-32bit-radeon-software-adrenalin-edition-18.9.3-oct5.exe>
- Windows Vista 64bit: [https://www2.ati.com/drivers/13-12\\_winvista\\_64\\_dd\\_ccc\\_whql.exe](https://www2.ati.com/drivers/13-12_winvista_64_dd_ccc_whql.exe)
- Windows Vista 32bit: [https://www2.ati.com/drivers/13-12\\_winvista\\_32\\_dd\\_ccc\\_whql.exe](https://www2.ati.com/drivers/13-12_winvista_32_dd_ccc_whql.exe)
- RHEL x86\_32: [https://www2.ati.com/drivers/linux/fglrx\\_p\\_i\\_c-15.302-1.i386\\_rhel6.rpm](https://www2.ati.com/drivers/linux/fglrx_p_i_c-15.302-1.i386_rhel6.rpm)
- Ubuntu x86\_32: [https://www2.ati.com/drivers/linux/fglrx\\_15.302-0ubuntu1\\_i386\\_ub\\_14.01.deb](https://www2.ati.com/drivers/linux/fglrx_15.302-0ubuntu1_i386_ub_14.01.deb)
- Linux x86\_64: <https://www2.ati.com/drivers/linux/radeon-crimson-15.12-15.302-151217a-297685e.zip>
- Linux x86: <https://www2.ati.com/drivers/linux/radeon-crimson-15.12-15.302-151217a-297685e.zip>

### Part Number:

Part Number	Model Name	Specification
8.ZRT.80-6007-12-LFF	HD7750 4GD5 6MDP	M55 HD7750 4G 128bit GDDR5 128*32 6mDP PCI-E 16x ATX 6L-ZRT 彩包