

Multi Display Series

AMD Radeon HD6570 1G DDR3 Mini Display+4HDMI/DVI SFF PCI-E 16X



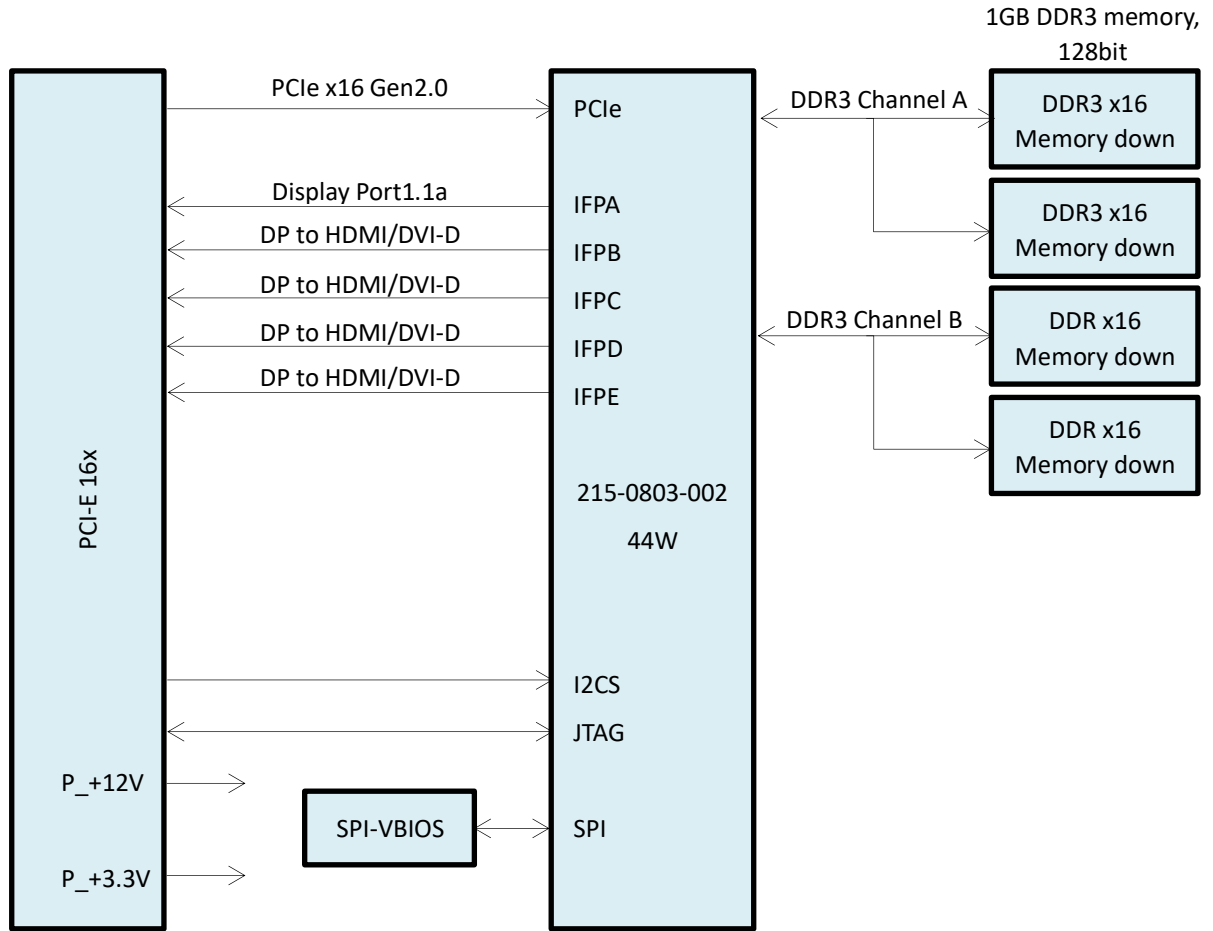
Feature:

- 五屏显示器克隆显示一画面 / 独立显示不同画面。
- 五屏显示器横放（横向 / 竖向）拼接显示一个大画面。
- 五屏显示器竖放（横向 / 竖向）拼接显示一个大画面。
- 四屏显示器横放 / 竖放田字拼接显示一个大画面、一屏独立显示另一画面。

Specification:

Model	HD6570 1GD3 MDP+4HDMI/DVI
Graphics Processing Unit	AMD Radeon HD6570
Shader Processing Units	480SP
Memory Size	1G 128bit DDR3
Interface	PCI-Express 2.1 16x
Board Dimensions	SFF/1 Slot (168*69*17mm)
Display Features	Mini Display Port1.1a + VHDCI to 4HDMI / 4DVI
Single Resolution	mDP:2560*1600@60Hz HDMI/DVI:1920*1080@60Hz
Board Power	44W
Operation System	Windows Vista/7/8/8.1/10 32/64bit、Linux 32/64bit
Accessories	Low Profile Bracket、Manual、Driver CD、VHDCI to 4HDMI/DVI Cable(Optional)
Operating Temperature	0~45°C
Storage Temperature	-20~75°C
Operating Humidity	0~95% (non-condensing)
Storage Humidity	10~90%

Block Diagram:



Eyefinity:

Eyefinity (Landscape)	Eyefinity (Portrait)
2x1(3840x1080@60Hz)	2x1(2160x1920@60Hz)
1x2(1920x2160@60Hz)	1x2(1080x3840@60Hz)
3x1(5760x1080@60Hz)	3x1(3240x1920@60Hz)
1x3(1920x3240@60Hz)	1x3(1080x5760@60Hz)
4x1(7680x1080@60Hz)	1x4(1080x7680@60Hz)
2x2(3840x2160@60Hz)	2x2(2160x3840@60Hz)
1x5(1920x5400@60Hz)	1x5(1080x9600@60Hz)
5x1(9600x1080@60Hz)	5x1(5400x1920@60Hz)



Driver:

Windows 10 64bit: <https://www2.ati.com/drivers/amd-catalyst-15.7.1-win10-64bit.exe>
 Windows 10 32bit: <https://www2.ati.com/drivers/amd-catalyst-15.7.1-win10-32bit.exe>
 Windows 8.1 64bit: <https://www2.ati.com/drivers/whql-win8.1-win7-catalyst-15.7.1-oct30.exe>
 Windows 8.1 32bit: <https://www2.ati.com/drivers/whql-win8.1-win7-catalyst-15.7.1-oct30.exe>
 Windows 8 64bit: <https://www2.ati.com/drivers/amd-catalyst-14.4-64bit-win8.1-win8-win7-whql-aug.exe>
 Windows 8 32bit: <https://www2.ati.com/drivers/amd-catalyst-14.4-32bit-win8.1-win8-win7-whql-aug.exe>
 Windows 7 64bit: <https://www2.ati.com/drivers/whql-win8.1-win7-catalyst-15.7.1-oct30.exe>
 Windows 7 32: <https://www2.ati.com/drivers/whql-win8.1-win7-catalyst-15.7.1-oct30.exe>
 Windows Vista 64bit: https://www2.ati.com/drivers/13-12_winvista_64_dd_ccc_whql.exe
 Windows Vista 32bit: https://www2.ati.com/drivers/13-12_winvista_32_dd_ccc_whql.exe
 RHEL x86_64: https://www2.ati.com/drivers/linux/fglrx64_p_i_c-15.201.1151-1.x86_64_RHEL6_64a.rpm
 RHEL x86_32: https://www2.ati.com/drivers/linux/fglrx_p_i_c-15.201.1151-1.i386_RHEL6.rpm
 Ubuntu x86_32: https://www2.ati.com/drivers/linux/fglrx_15.201-0ubuntu1_i386_UB_14.01.deb
 Linux x86_64: https://www2.ati.com/drivers/linux/fglrx_15.201-0ubuntu1_amd64_UB_14.01.deb
 Linux x86: https://www2.ati.com/drivers/linux/amd-catalyst-15.9-linux-installer-15.201.1151-x86.x86_64.zip

Part Number:

Part Number	Model Name	Specification
8.ZRT.80-6095-21-LFF	HD6570 1GD3 MDP+4HDMI	MA16 HD6570 1G 128bit SDDR3 64*16 VHDCI to 4HDMI+mDP PCI-E 16x LP 6L-ZRT 彩包
8.ZRT.80-6095-22-LFF	HD6570 1GD3 MDP+4DVI	MA16 HD6570 1G 128bit SDDR3 64*16 VHDCI to 4DVI+mDP PCI-E 16x LP 6L-ZRT 彩包