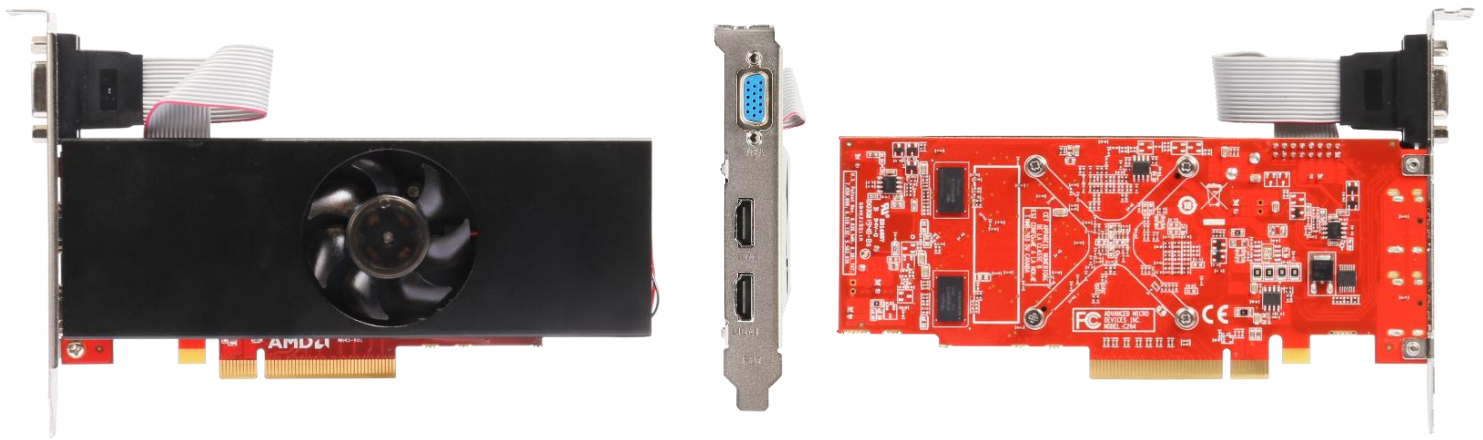


# Multi Display Series

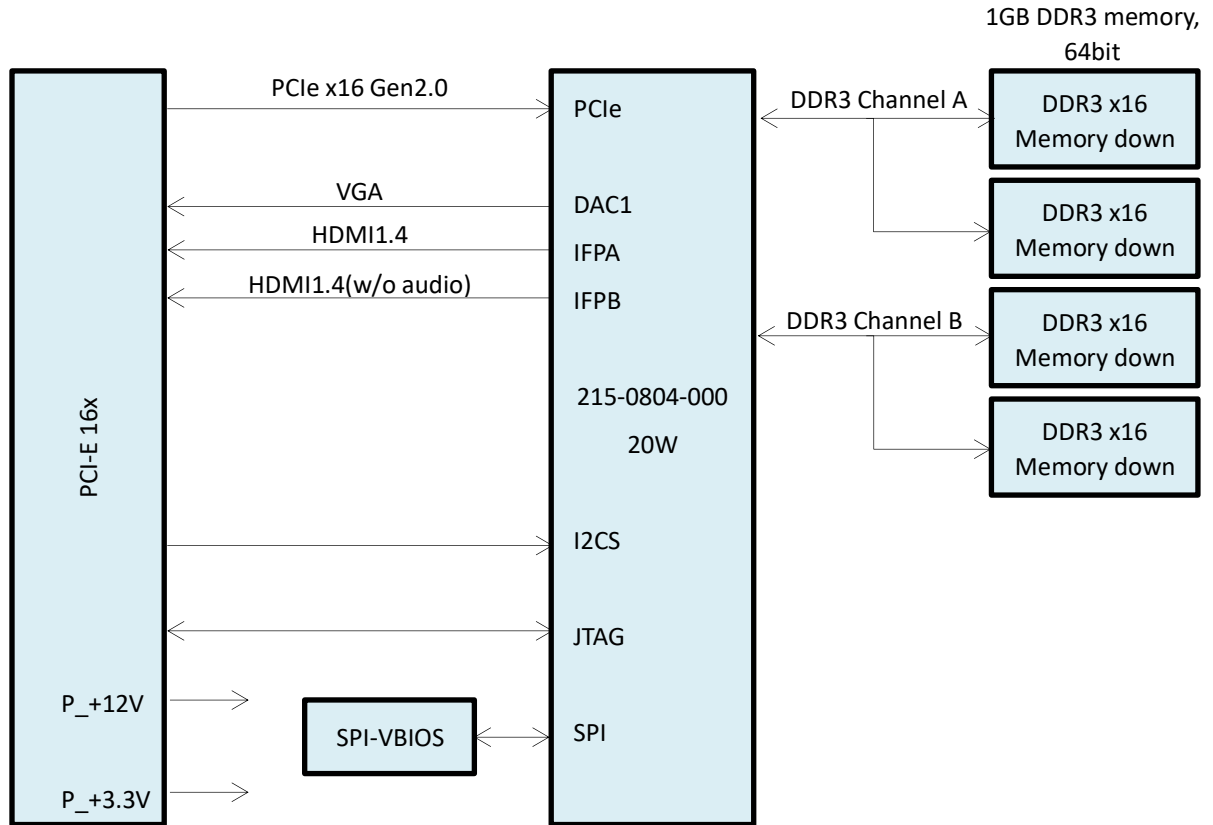
AMD Radeon R5 230 1G DDR3 VGA+2HDMI SFF PCI-E 8X



## Specification:

Model	R5 230 1GD3 V2H 8X
Graphics Processing Unit	AMD Radeon R5 230
Shader Processing Units	160SP
Graphics Clock	625MHz
Memory Clock	800MHz
Memory Size	1G 64bit DDR3
Interface	PCI-Express 2.1 8x
Board Dimensions	SFF/1 Slot (168*69*17mm)
Display Features	VGA+2xHDMI1.4a (1xHDMI w/o audio)
Single Resolution	VGA:2048*1536@60Hz HDMI:2560*1600@60Hz
Board Power	19W
Operation System	Windows Vista/7/8/8.1/10 32/64bit 、Linux 32/64bit
Accessories	Low Profile Bracket (2HDMI & VGA) 、Manual 、Driver CD
Operating Temperature	0~45°C
Storage Temperature	-20~75°C
Operating Humidity	0~95% (non-condensing)
Storage Humidity	10~90%

### Block Diagram:



### Eyefinity:

Eyefinity (Landscape)	Eyefinity (Portrait)
2x1(3840x1080@60Hz)	2x1(2160x1920@60Hz)
1x2(1920x2160@60Hz)	1x2(1080x3840@60Hz)
3x1(5760x1080@60Hz)	3x1(3240x1920@60Hz)
1x3(1920x3240@60Hz)	1x3(1080x5760@60Hz)

**Driver:**

Windows 10 64bit: <https://www2.ati.com/drivers/amd-catalyst-15.7.1-win10-64bit.exe>

Windows 10 32bit: <https://www2.ati.com/drivers/amd-catalyst-15.7.1-win10-32bit.exe>

Windows 8.1 64bit: <https://www2.ati.com/drivers/whql-win8.1-win7-catalyst-15.7.1-oct30.exe>

Windows 8.1 32bit: <https://www2.ati.com/drivers/whql-win8.1-win7-catalyst-15.7.1-oct30.exe>

Windows 8 64bit: <https://www2.ati.com/drivers/amd-catalyst-14.4-64bit-win8.1-win8-win7-whql-aug.exe>

Windows 8 32bit: <https://www2.ati.com/drivers/amd-catalyst-14.4-32bit-win8.1-win8-win7-whql-aug.exe>

Windows 7 64bit: <https://www2.ati.com/drivers/whql-win8.1-win7-catalyst-15.7.1-oct30.exe>

Windows 7 32: <https://www2.ati.com/drivers/whql-win8.1-win7-catalyst-15.7.1-oct30.exe>

RHEL x86\_64: [https://www2.ati.com/drivers/linux/fglrx64\\_pi\\_c-15.201.1151-1.x86\\_64\\_RHEL6\\_64a.rpm](https://www2.ati.com/drivers/linux/fglrx64_pi_c-15.201.1151-1.x86_64_RHEL6_64a.rpm)

RHEL x86\_32: [https://www2.ati.com/drivers/linux/fglrx\\_pi\\_c-15.201.1151-1.i386\\_RHEL6.rpm](https://www2.ati.com/drivers/linux/fglrx_pi_c-15.201.1151-1.i386_RHEL6.rpm)

Ubuntu x86\_32: [https://www2.ati.com/drivers/linux/fglrx\\_15.201-0ubuntu1\\_i386\\_UB\\_14.01.deb](https://www2.ati.com/drivers/linux/fglrx_15.201-0ubuntu1_i386_UB_14.01.deb)

Linux x86\_64: [https://www2.ati.com/drivers/linux/amd-catalyst-15.9-linux-installer-15.201.1151-x86.x86\\_64.zip](https://www2.ati.com/drivers/linux/amd-catalyst-15.9-linux-installer-15.201.1151-x86.x86_64.zip)

Linux x86: [https://www2.ati.com/drivers/linux/amd-catalyst-15.9-linux-installer-15.201.1151-x86.x86\\_64.zip](https://www2.ati.com/drivers/linux/amd-catalyst-15.9-linux-installer-15.201.1151-x86.x86_64.zip)

