

NVIDIA SFF Series

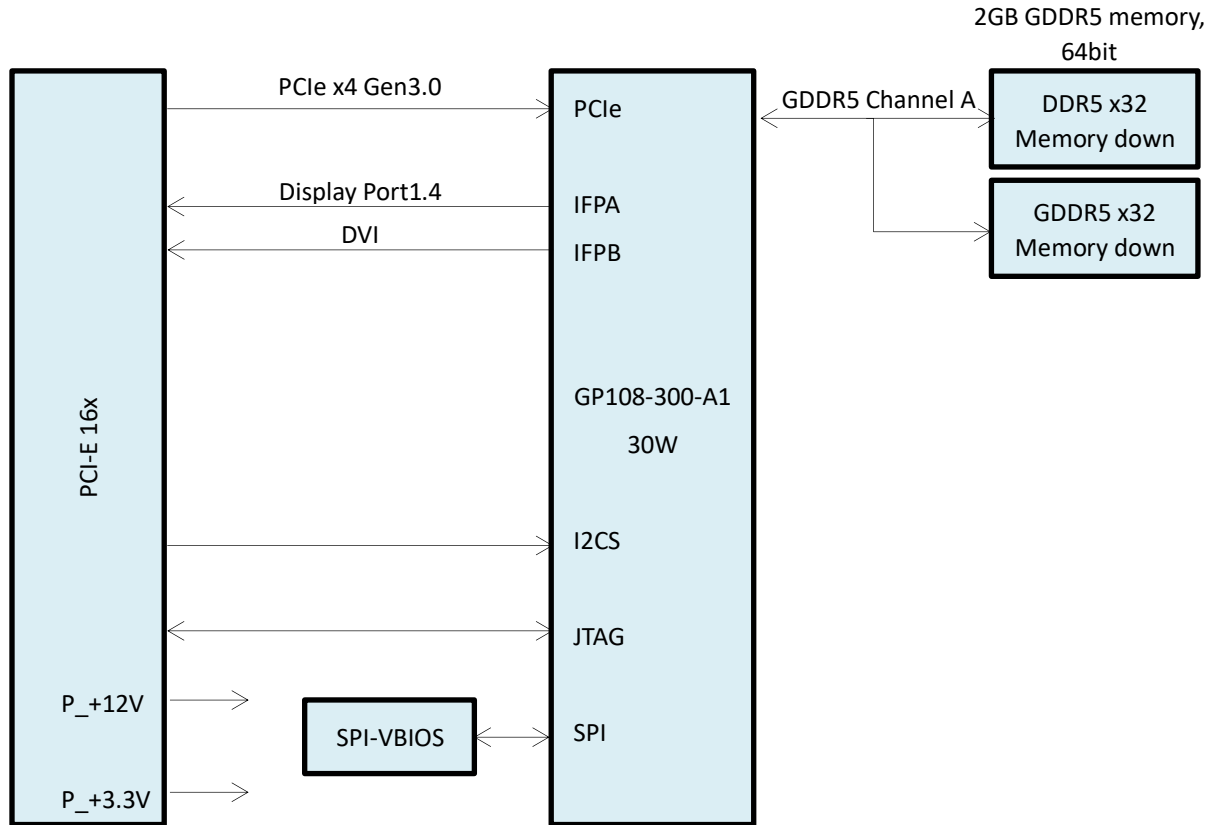
NVIDIA GeForce GT1030 2G GDDR5 Display Port+DVI LP PCI-E 16X



Specification:

Model	GT1030 2GD5 PD
Graphics Processing Unit	NVIDIA GeForce GT1030
NVIDIA CUDA Core	384SP
Memory Size	2G 64bit GDDR5
Graphics Clock	1228MHz (Boost 1468MHz)
Memory Clock	1502MHz (6.0 Gbps)
Memory Bandwidth	48.1GB/s
Interface	PCI-Express 3.0 16x
Board Dimensions	SFF/1 Slot (168*56*17mm)
Display Features	Display Port1.4+DVI-D
Single Resolution	DVI:1920*1080@60Hz Display Port:7680*4320@60Hz
Board Power	30W
Operation System	Windows 7/8/8.1/10 64bit 、 Windows 11 、 Linux 64bit
Operating Temperature	0~45°C
Storage Temperature	-20~75°C
Operating Humidity	0~95% (non-condensing)
Storage Humidity	10~90%

Block Diagram:



Surround:

Surround (Landscape)	Surround (Portrait)
2x1(3840x1080@60Hz)	2x1(2160x1920@60Hz)
1x2(1920x2160@60Hz)	1x2(1080x3840@60Hz)

Performance:

Benchmark	Score
3Dmark Vantage	16738
3Dmark11	X1670
	P5079
	E7874
3Dmark13	FS:3522
鲁大师	44267
Furmark	0°C

Driver:

Windows 11: <https://www.nvidia.cn/Download/driverResults.aspx/180673/cn>

Windows 10 64bit: <https://www.nvidia.cn/Download/driverResults.aspx/180673/cn>

Windows 8.1 64bit: <https://www.nvidia.cn/Download/driverResults.aspx/180601/cn>

Windows 8 64bit: <https://www.nvidia.cn/Download/driverResults.aspx/180601/cn>

Windows 7 64bit: <https://www.nvidia.cn/Download/driverResults.aspx/180601/cn>

Linux: <https://www.nvidia.cn/Download/driverResults.aspx/180481/cn>

Part Number:

Part Number	Model Name	Specification
8.ZRT.80-6180-01-LFF	GT1030 2GD5 PD	F52 GT1030 2G 64bit GDDR5 256*32 DP+DVI PCI-E 16x LP 4L-工包六十入