

# NVIDIA SFF Series

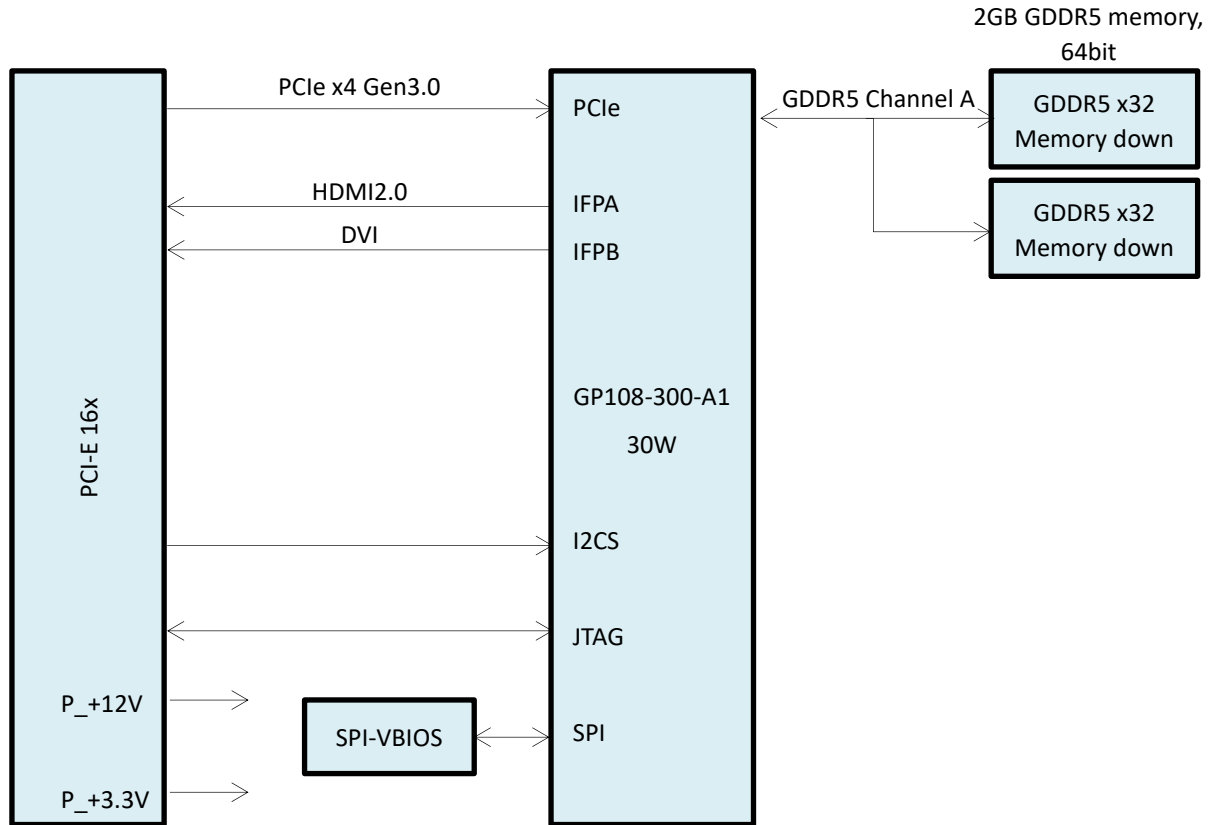
NVIDIA GeForce GT1030 2G GDDR5 HDMI+DVI LP PCI-E 16X



## Specification:

Model	GT1030 2GD5 HD
Graphics Processing Unit	NVIDIA GeForce GT1030
NVIDIA CUDA Core	384SP
Memory Size	2G 64bit GDDR5
Graphics Clock	1228MHz (Boost 1468MHz)
Memory Clock	1502MHz (6.0 Gbps)
Memory Bandwidth	48.1GB/s
Interface	PCI-Express 3.0 16x
Board Dimensions	SFF/1 Slot (168*56*17mm)
Display Features	HDMI2.0+DVI-D
Single Resolution	DVI:1920*1080@60Hz HDMI:4096*2160@60Hz
Board Power	30W
Operation System	Windows 7/8/8.1/10 64bit 、 Windows 11 、 Linux 64bit
Operating Temperature	0~45°C
Storage Temperature	-20~75°C
Operating Humidity	0~95% (non-condensing)
Storage Humidity	10~90%

### Block Diagram:



### Surround:

Surround (Landscape)	Surround (Portrait)
2x1(3840x1080@60Hz)	2x1(2160x1920@60Hz)
1x2(1920x2160@60Hz)	1x2(1080x3840@60Hz)

### Performance:

Benchmark	Score
3Dmark Vantage	16738
3Dmark11	X1670
	P5079
	E7874
3Dmark13	FS:3522
鲁大师	44267
Furmark	0°C

**Driver:**

Windows 11: <https://www.nvidia.cn/Download/driverResults.aspx/180673/cn>

Windows 10 64bit: <https://www.nvidia.cn/Download/driverResults.aspx/180673/cn>

Windows 8.1 64bit: <https://www.nvidia.cn/Download/driverResults.aspx/180601/cn>

Windows 8 64bit: <https://www.nvidia.cn/Download/driverResults.aspx/180601/cn>

Windows 7 64bit: <https://www.nvidia.cn/Download/driverResults.aspx/180601/cn>

Linux: <https://www.nvidia.cn/Download/driverResults.aspx/180481/cn>

