

PCI-E 1x Series

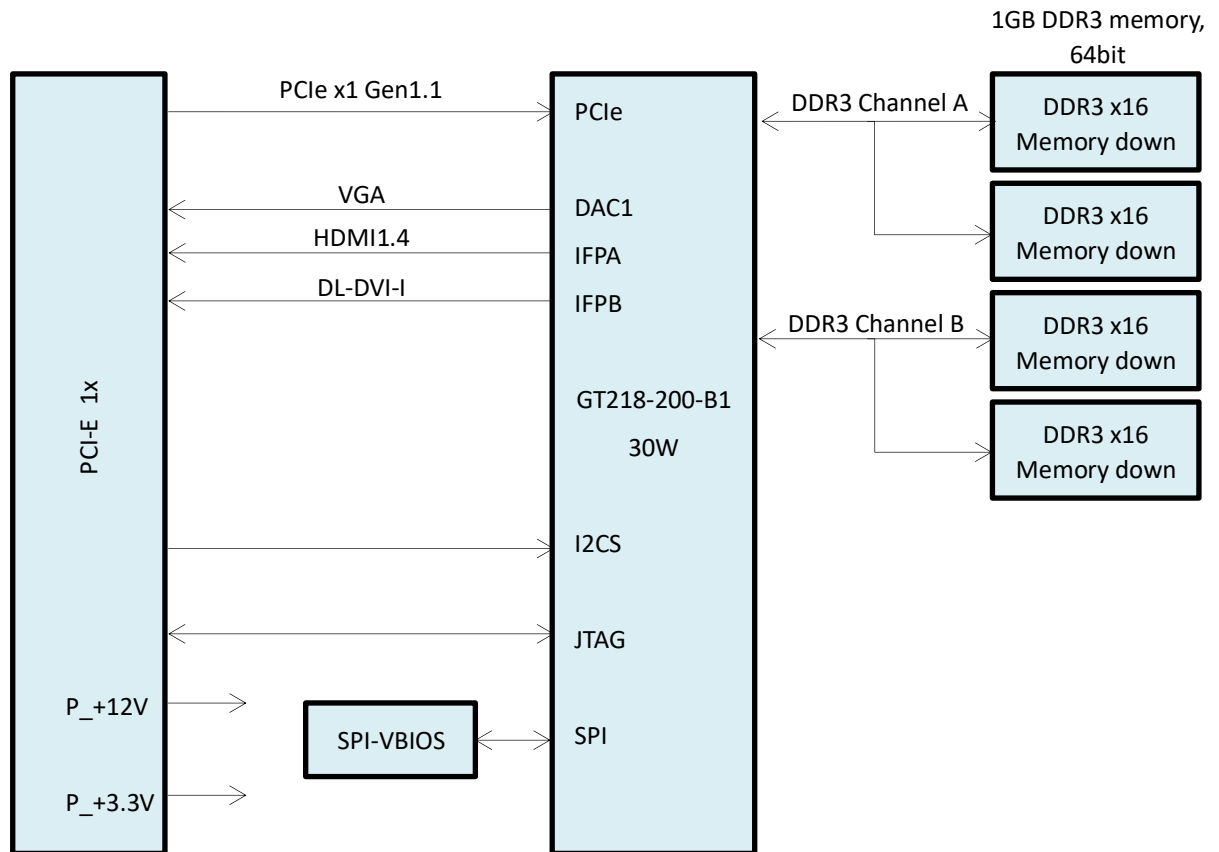
NVIDIA GeForce G210 1G DDR3 VGA+HDMI+DVI SFF PCI-E 1X



Specification:

Model	G210 1GD3 VHD 1X
Graphics Processing Unit	NVIDIA GeForce G210
NVIDIA CUDA Core	16SP
Memory Size	1G 64bit DDR3
Graphics Clock	589MHz
Memory Clock	500MHz
Interface	PCI-Express 1.1 1x
Board Dimensions	SFF/1 Slot (150*69*15mm)
Display Features	VGA+HDMI1.4+Dual Link DVI-I
Single Resolution	VGA:2048*1536@60Hz HDMI:2560*1600@60Hz DVI: 2560x1600@60Hz
Cooling	Fan
Board Power	30W
Operation System	Windows XP/Vista/7/8/8.1/10 64bit 、 Linux 64bit
DirectX	10.1
OpenGL	3.1
Operating Temperature	0~45°C
Storage Temperature	-20~75°C
Operating Humidity	0~95% (non-condensing)
Storage Humidity	10~90%

Block Diagram:



Driver:

Windows 10 64bit: <https://www.nvidia.cn/Download/driverResults.aspx/112657/cn>

Windows 8.1 64bit: <https://www.nvidia.cn/Download/driverResults.aspx/112621/cn>

Windows 8 64bit: <https://www.nvidia.cn/Download/driverResults.aspx/112621/cn>

Windows 7 64bit: <https://www.nvidia.cn/Download/driverResults.aspx/112621/cn>

Windows Vista 64bit: <https://www.nvidia.cn/Download/driverResults.aspx/112621/cn>

Windows XP: <https://www.nvidia.cn/Download/driverResults.aspx/77267/cn>

Linux: <https://www.nvidia.cn/Download/driverResults.aspx/156188/cn>

Part Number:

Part Number	Model Name	Specification
8.ZRT.80-2153-00-LFF	G210 1GD3 VHD 1X	F23 G210 1G 64bit SDDR3 128*8 VGA+HDMI+DVI PCI-E 1x LP 4L-工包
8.ZRT.80-2153-01-LFF	G210 1GD3 VHD 1X	F23 G210 1G 64bit SDDR3 128*8 VGA+HDMI+DVI PCI-E 1x LP 4L-ZRT 彩包