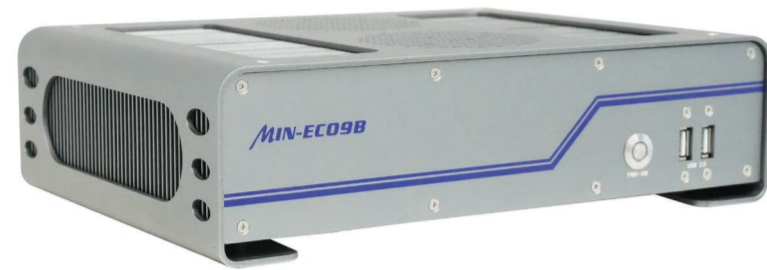


# MIN-EC09B



## Features:

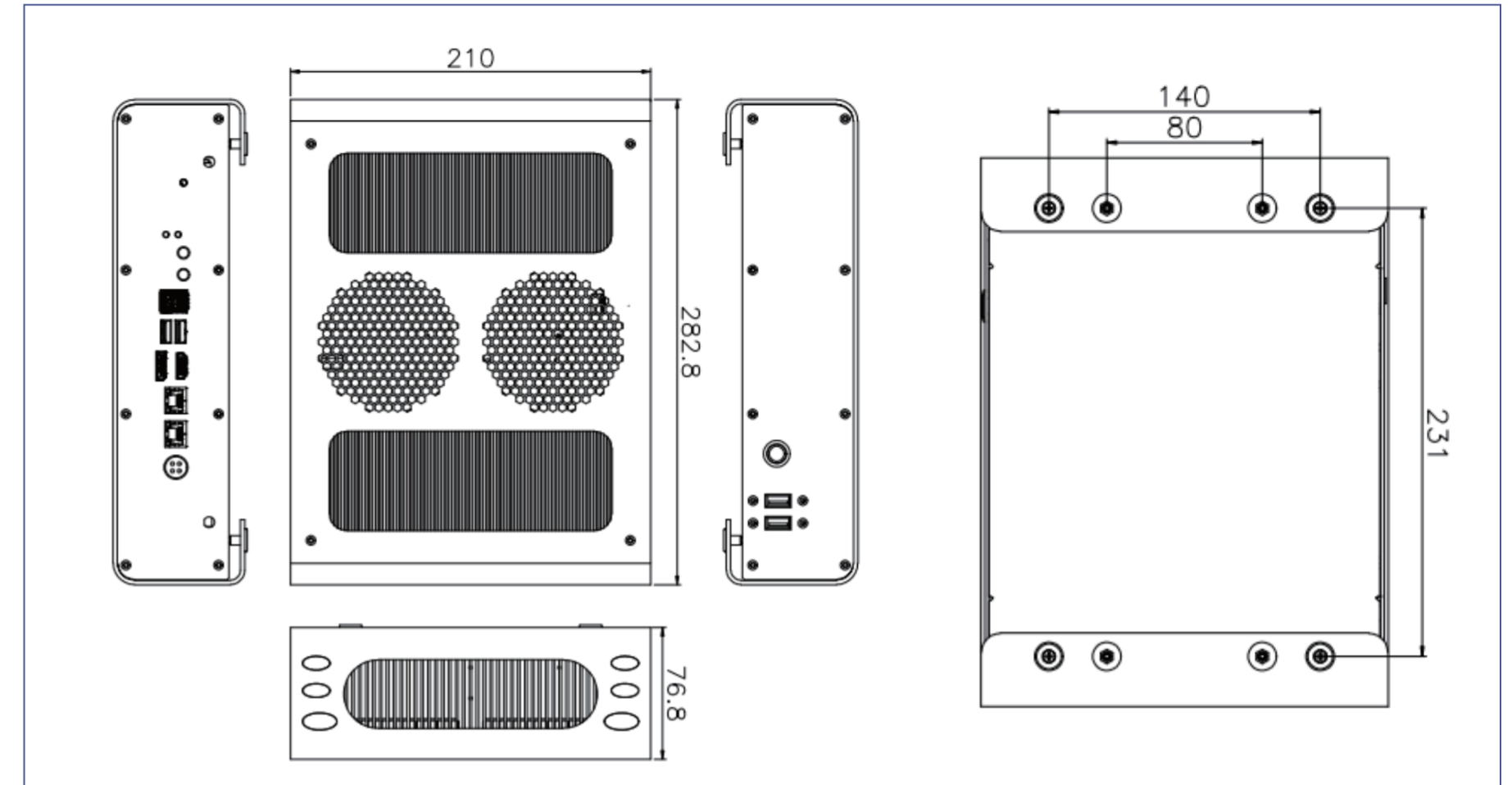
- Supports 11th Generation Intel® Core™ i9/i7/i5/i3 processors
- Dual-channel DDR4 memory supporting up to 64GB
- Support for DP + HDMI independent graphics output
- 3 x USB 3.0 + Type-C; 2 x USB 2.0
- 2 x M.2 SSD, 4G/5G IoT modules
- Expandable MXM GPU card
- All aluminum chassis, with copper tube dissipation and 2 fans design
- Compact design, size 283 x 210 x 78mm

## Specification:

Model No.		MIN-EC09B		
CPU	Platform	Intel Tiger Lake-H i5/i7/i9		
	CPU	I5-11500H	I7-11850H	I9-11950H
	Core	6	8	8
	Basic Frequency	2.4/2.9GHz	2.1/2.5GHz	2.1/2.6GHz
	Highest Frequency	4.60GHz	4.90GHz	5.00GHz
	Second level Cache	12MB	24MB	24MB
	TDP	35/45W	35/45W	35/45W
	Chipset	Intel PCH QM580		
	BIOS	128Mb SPI FLASH		
RAM	Type	DDR4		
	Max. Capacity	64G 3200MHz		
	Slot	2 x SO-DIMM		
Expansion Slots	M.2	1 x M.2 Key-M(2242 / 2280) for PCIe/SATA 1 x M.2 Key-B(2242 / 2260 / 2280) for SATA & 4G/5G 1 x M.2 Key-E(2230) for WIFI		
	MXM	1 x MXM 3.1 slot for GPU card		
	SIM	1 x SIM		
Storage	SATA	1 x SATA3.0(7 Pins)		
Display	I/O	1 x HDMI (From GPU DP_A DP to HDMI) 1 x DP (From GPU DP_B)		
	Resolution	HDMI2.0:4096*2160@60Hz z DP:7680*4096@60Hz		

USB / Type-C	Front Panel	2 x USB2.0
	Back Panel	3 x USB3.0 1 x Type C
	Function	Support wake up from S3/S4
Audio	Controller	ALC897
	Back Panel	1 x Line Out 1 x MIC In
Ethernet	Controller	Intel® Ethernet Controller I225-AT
	Back Panel	2 x RJ45 10/100/1000M
	Function	Support wake up and PXE
Button	Front Panel	1 x Power Button
	Back Panel	1 x RV Button 1 x Reset Button
Power	Type	1 x DC In(4P In)
	Voltage	18~26V
Environment	Working Temp.	0~50°C at 0.7m/s air flow
	Storage Temp.	-20~70°C
	Working Humidity	10~95%(non-condensing)
Physical	Dimensions	283*210*78mm
	Color	Gray
Operation System	Microsoft	Windows 10
	Linux	Support

## Dimensions



## Ports:

