



Empowering Tomorrow's AI Computing

**MM3080TIB6-16G**

**MXM GPU Card**

# Product Catalogue

## 1.Specifications:

<b>Model</b>	MM3080TIB6-16G
<b>GPU Architecture</b>	NVIDIA Ampere
<b>Graphics Processing Unit</b>	NVIDIA GeForce RTX3080Ti Mobility
<b>NVIDIA CUDA Core</b>	7424
<b>Bus Type</b>	MXM3 .1 / up to PCI Express 4.0
<b>Graphics Clock</b>	975MHz / 1395MHz (Boost)
<b>Tensor Core</b>	232
<b>RT Core</b>	58
<b>Single Precision FLOPS</b>	19954GFLOPS
<b>Double Precision FLOPS</b>	433.7GFLOPS
<b>Memory Size</b>	16G 256bit GDDR6
<b>Memory Clock</b>	2000MHz (16.0 Gbps)
<b>Memory Bandwidth</b>	512.0GB/s
<b>Display Features</b>	DP_A: Display Port1.4++ DP_B: HDMI2.1 DP_C: HDMI2.1 DP_D: Display Port1.4++
<b>Max Resolution</b>	DP:7680x4320@120Hz HDMI:3840x2160@60Hz
<b>Board Power</b>	160W (Option 110W)
<b>Board Dimensions</b>	MXM Graphics Module Version 3.1 Type B (105x82mm)
<b>Number of output Channel</b>	4
<b>Operation System</b>	Windows 11/10 64bit · Linux
<b>VIN Range</b>	DC 12~19V, 3.3V & 5V; +/-5%

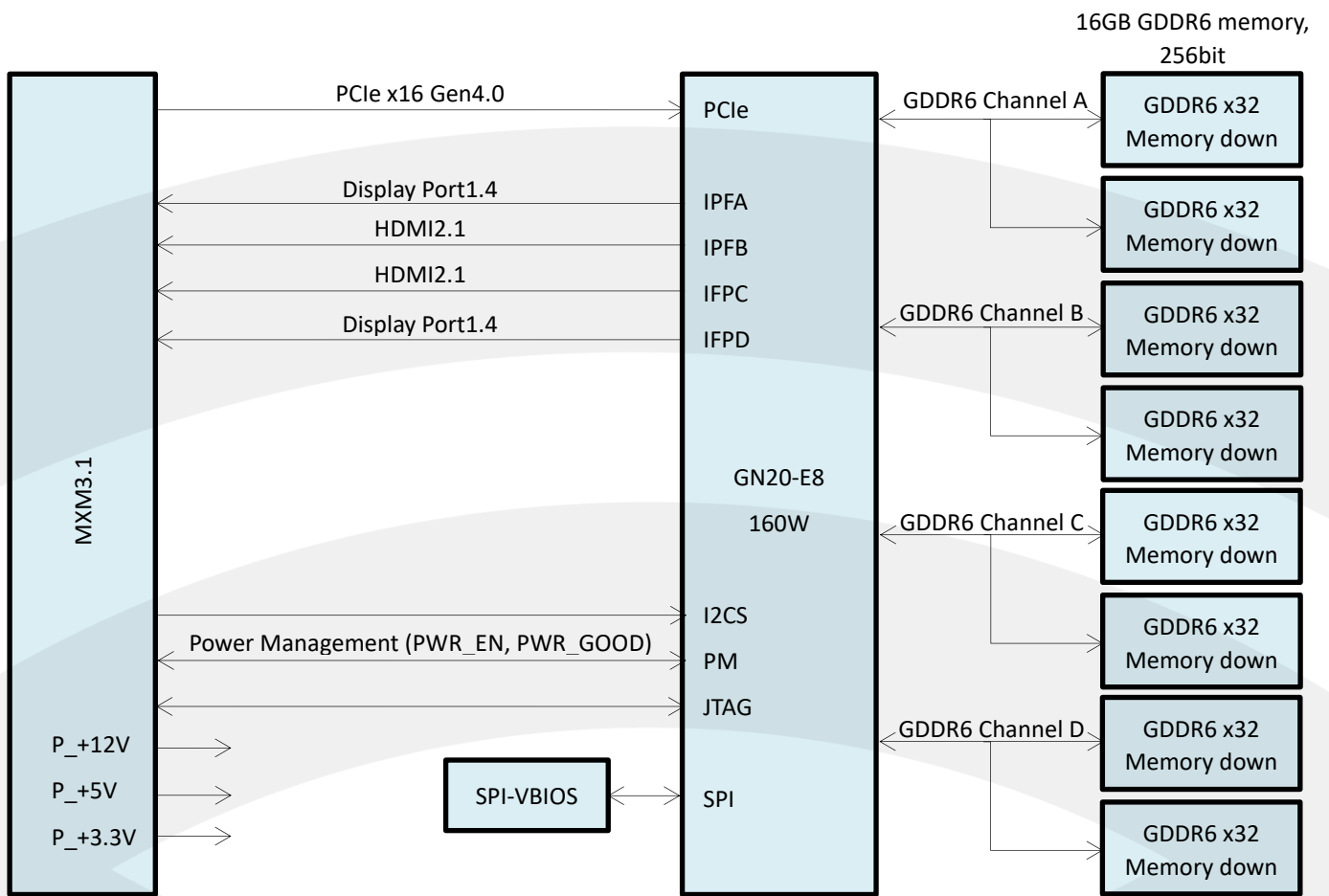
<b>OpenGL</b>	4.6
<b>OpenCL</b>	1.2
<b>DirectX</b>	12
<b>Video Playback</b>	H.265, VC1, MPEG2 1080P

<b>Operating Temperature</b>	0~45°C
<b>Storage Temperature</b>	-20~75°C
<b>Operating Humidity</b>	0~95% (non-condensing)
<b>Storage Humidity</b>	10~90%

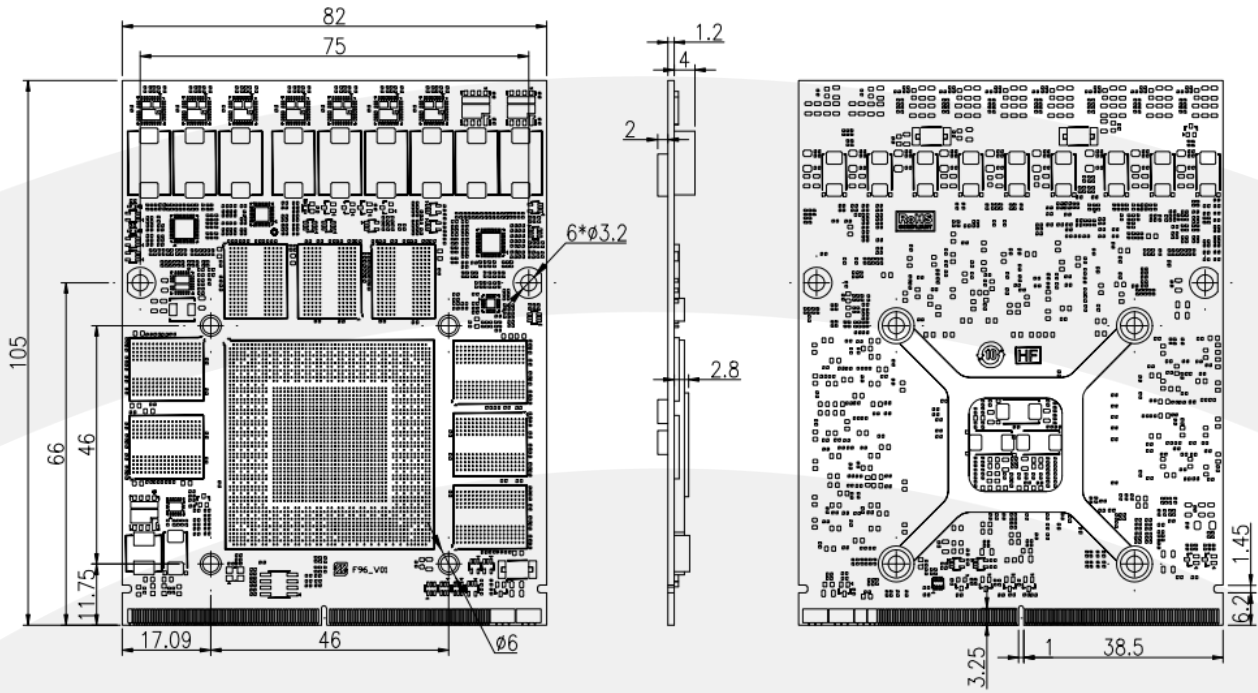
<b>Surround (Landscape)</b>	<b>Surround (Portrait)</b>
2x1(3840x1080@60Hz)	2x1(2160x1920@60Hz)
1x2(1920x2160@60Hz)	1x2(1080x3840@60Hz)
3x1(5760x1080@60Hz)	3x1(3240x1920@60Hz)
1x3(1920x3240@60Hz)	1x3(1080x5760@60Hz)
4x1(7680x1080@60Hz)	4x1(1080x7680@60Hz)
1x4(7680x1080@60Hz)	1x4(1080x7680@60Hz)
2x2(3840x2160@60Hz)	2x2(2160x3840@60Hz)

*\*Total resolution based on every display resolution is 1920\*1080@60Hz.*

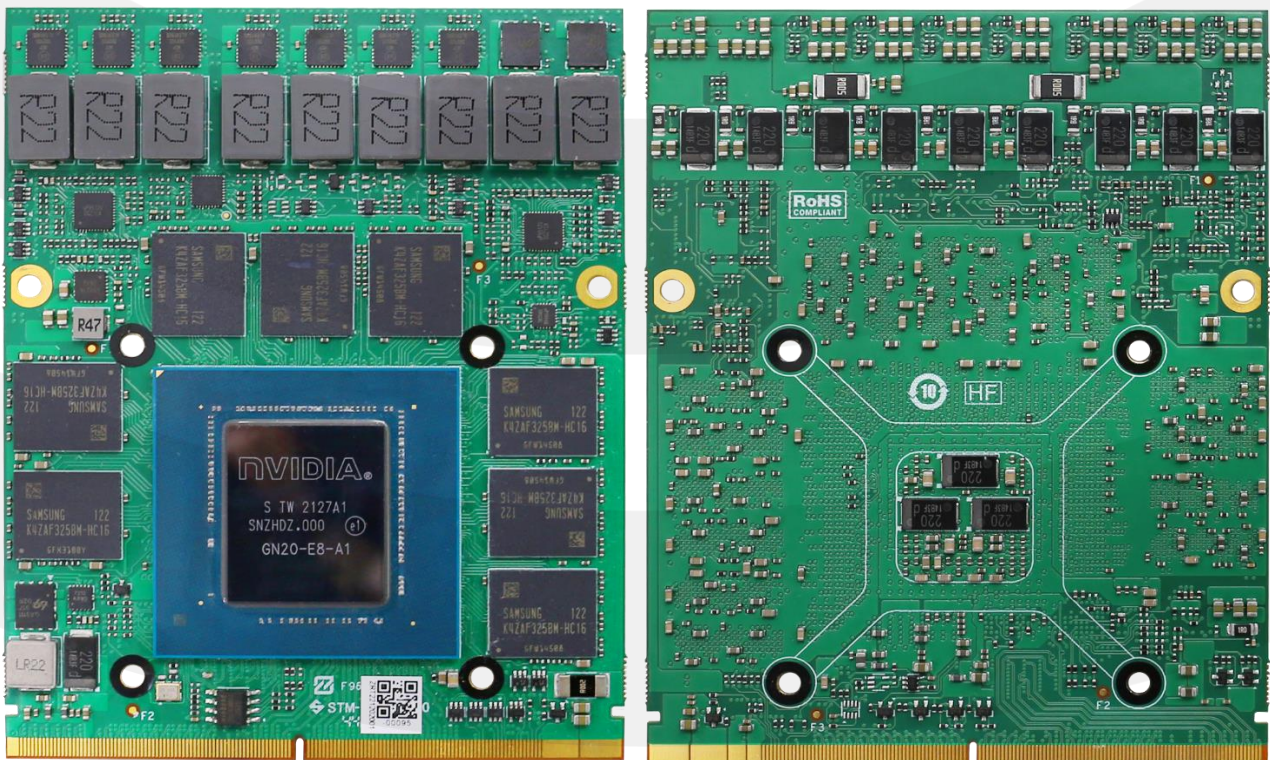
## 2.Block Diagram:



### 3.Dimensions:



### 15.Photo:



#### 4.Performance:

3Dmark13	FS:30590 FSE:15163 FSU:7593
3Dmark11	E26679 P24235 X13268
3Dmark Vantage	87111
Heaven	4825
鲁大师	468248
glmark2	13162

The image shows two software windows. The left window is TechPowerUp GPU-Z 2.46.0, displaying detailed information for an NVIDIA GeForce RTX 3080 Ti Laptop GPU. The right window is AIDA64 GPGPU Benchmark, showing benchmark results for the same GPU and a 6-core CPU.

Category	Value
Name	NVIDIA GeForce RTX 3080 Ti Laptop GPU
GPU	GA103
Revision	A1
Technology	8 nm
Die Size	Unknown
Release Date	Jan 4, 2022
Transistors	Unknown
BIOS Version	94.03.19.00.01
Subvendor	NVIDIA
Device ID	10DE 2420 - 10DE 0000
ROPs/TMUs	96 / 232
Bus Interface	PCIe x16 4.0 @ x16 4.0
Shaders	7424 Unified
DirectX Support	12 (12_2)
Pixel Fillrate	133.9 GPixel/s
Texture Fillrate	323.6 GTexel/s
Memory Type	GDDR6 (Samsung)
Bus Width	256 bit
Memory Size	16384 MB
Bandwidth	512.0 GB/s
Driver Version	30.0.15.1259 (NVIDIA 512.59) DCH / Win10 64
Driver Date	Apr 20, 2022
Digital Signature	Beta
GPU Clock	975 MHz
Memory	2000 MHz
Boost	1395 MHz
Default Clock	975 MHz
Memory	2000 MHz
Boost	1395 MHz
NVIDIA SLI	Disabled
Resizable BAR	Disabled
Computing	OpenCL, CUDA, DirectCompute, DirectML
Technologies	Vulkan, Ray Tracing, PhysX, OpenGL 4.6

Test	GPU	x64 CPU
Memory Read	12314 MB/s	20232 MB/s
Memory Write	12014 MB/s	18339 MB/s
Memory Copy	448828 MB/s	15290 MB/s
Single-Precision FLOPS	19954 GFLOPS	220.0 GFLOPS
Double-Precision FLOPS	433.7 GFLOPS	110.0 GFLOPS
24-bit Integer IOPS	12008 GIOPS	155.8 GIOPS
32-bit Integer IOPS	11998 GIOPS	155.8 GIOPS
64-bit Integer IOPS	2848 GIOPS	55.06 GIOPS
AES-256	62179 MB/s	2700 MB/s
SHA-1 Hash	136401 MB/s	4840 MB/s
Single-Precision Julia	3674 FPS	86.80 FPS
Double-Precision Mandel	119.0 FPS	42.68 FPS


#### 5.Driver:

Windows 11: <https://pan.baidu.com/s/1gRfmgXtcfWQXdESR-BZ-rQ?pwd=u10o>

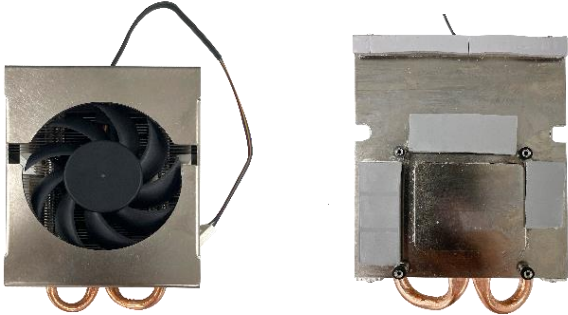
Windows 10 64bit: <https://pan.baidu.com/s/1gRfmgXtcfWQXdESR-BZ-rQ?pwd=u10o>

Linux: <https://pan.baidu.com/s/1GQpeuw81hSxCuLPLXm3U7Q?pwd=hefa>

## 6.Cooling Option:

	<b>1.ZRT.48-6350-00-A00 ( For 120W )</b>	
	Dimension	103*83*34mm
	Rated Speed	8000*2
	Out of Frame Lead Wires	200mm
	Connector	4Pin 2.54

	<b>1.ZRT.48-6306-00-A00</b>	
	Dimension	130*80*49.9mm
	Rated Speed	4500
	Out of Frame Lead Wires	200mm
	Connector	4Pin 2.54

深圳智锐通科技有限公司  
Shenzhen ZRT Technology Co., Ltd



Official

&



Youtube

- Shenzhen ZRT Technology Co., Ltd
- Email: info@zrt-tech.com
- Tel.: +86-400-838-6869  
+86-153-3876-2616
- Website: www.zrt-tech.com
- Address: Room 2105-2106, Building A, Fenghuang Zhigu, No. 50, Tiezai Road, Xixiang Street, Bao'an District, 518100, Shenzhen